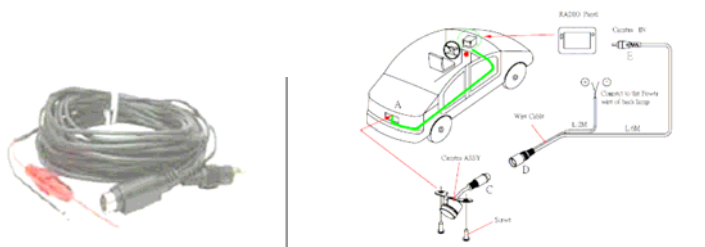


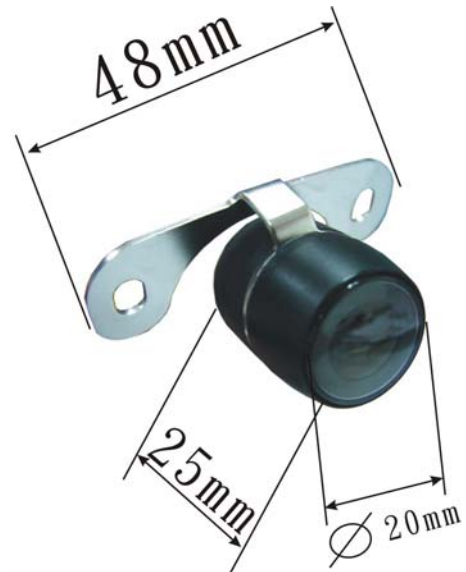
# 150° Wild Viewing Angle / Waterproof Camera

## Model Number: RHP-120W

- ◆ Compact size with waterproof(IP68)
- ◆ 150° wide viewing angle
- ◆ Bracket mount type
- ◆ Low Lux
- ◆ Mini Size with 20 mm (Ø) x 25 mm (L)



\*Video and power mixed line, (Video 6m, power 2m)



### ■ SPECIFICATIONS

|                                |   |
|--------------------------------|---|
| <b>Image Pick-up Device</b>    | 1/4" CCD sensor                             |
| <b>Pixels</b>                  | NTSC: 542(H)*496(V), PAL: 542(H)*586(V)     |
| <b>Horizontal Resolution</b>   | 380 horizontal TV lines /(470 Enhanced)     |
| <b>Minimum Illumination</b>    | 0.3 LUX @ F1.2                              |
| <b>S/N Ratio</b>               | 52 dB(MIN)/60dB(TYP) (AGC OFF)              |
| <b>Auto Electronic Shutter</b> | NTSC:1/60s~1/100,000s, PAL:1/50s~1/110,000s |
| <b>Gain Control</b>            | Automatically.                              |
| <b>White Balance</b>           | Automatically. (2500K~9500K)                |
| <b>Gamma Correct</b>           | 0.45 / 1 (set to 0.45 before shipment)      |
| <b>Lens Furnished</b>          | Board Lens 1.65mm (View Angle: 150 degree)  |
| <b>Synchronous System</b>      | Internal                                    |
| <b>Video Output</b>            | 1 Vp-p Composite Video / 75 Ohms.           |
| <b>Power Supply</b>            | 12V DC / 65 mA                              |
| <b>Operating Temp.</b>         | -20°C to 50°C (-4°F to 122°F)               |
| <b>Water Resistance</b>        | IP68  |
| <b>Weight (per unit)</b>       | N.W.: 0.135 kg / G.W.: 0.2 kg               |
| <b>Dimensions</b>              | 20(Ø) x 25(L)mm                             |

Design and specifications are subject to change without notice



**ROCKvision Technology Co., Ltd.**

2F-6, No16, Sec 1, Chang-an E, Rd., Taipei City 10442, Taiwan.

Tel: (+886) 2 2523 1120 Fax: (+886) 2 2523 1223

E-mail address : [sales@rockvision.com.tw](mailto:sales@rockvision.com.tw)